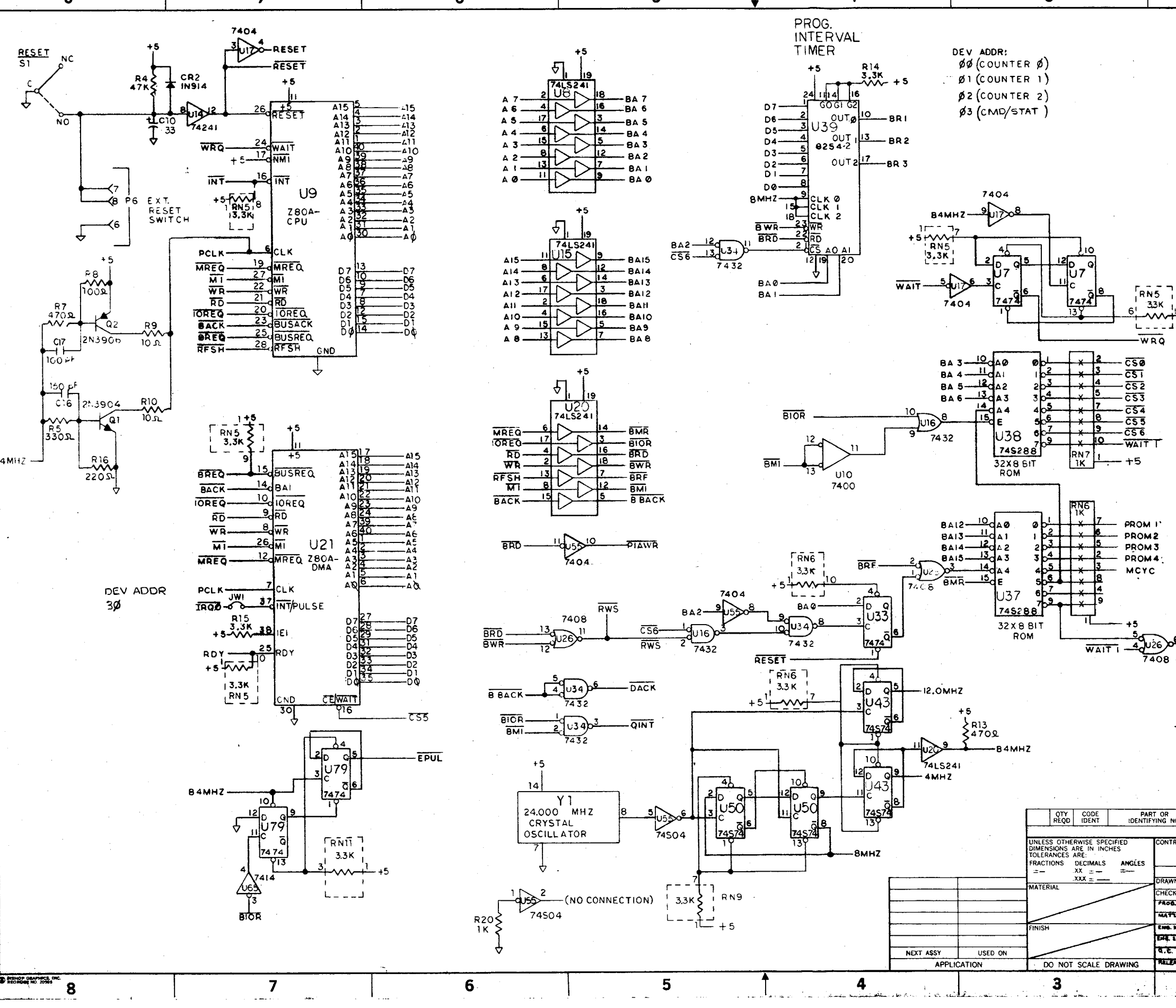


REVISIONS				
ZONE	LTR	DESCRIPTION	DATE	APPROVED
A	10-22-82	PARTS LIST CHANGES	10-19-82	
B	11-25-82	PART LIST ASSY CHANGES	11-20-82	
C	12-13-82	EFFECTED U31 PINS 17-22	12-13-82	
D	12-20-82	EFFECTED PS, J12, C60-C66	12-20-82	
F		SEE ECO FOR CHANGES	DK 5-9-83	
H	33-11-71		DK 7-29-83	
J	83-11-25		DK 7-29-83	
K	83-M233	DK 7-29-83		
L	83-M247	DK 10-4-83	10-6-83	



DEV ADDR:  
 00 (COUNTER 0)  
 01 (COUNTER 1)  
 02 (COUNTER 2)  
 03 (CMD/STAT)

-02 USED WITH ZORBA  
 -03 USED WITH REV 'B' Z2000  
 -04 USED WITH REV 'E' Z2000

QTY REQD	CODE IDENT	PART OR IDENTIFYING NO.	NOMENCLATURE OR DESCRIPTION

UNLESS OTHERWISE SPECIFIED DIMENSIONS ARE IN INCHES TOLERANCES ARE:  
 FRACTIONS DECIMALS ANGLES  
 -- XX -- --  
 --- XXX ---

CONTRACT NO. **8-5-82**  
 APPROVALS **VANCE, M.** DATE **10/11/82**  
 DRAWN **GR** CHECKED **GR**  
 MATL. CONT. **10/19/82** **D 50338** 315100166  
 FINISH **10/19/82**  
 ENG. DES. **10/19/82**  
 Q.C. **10/19/82**  
 RELEASED **10/19/82** SCALE **X** SHEET **1** OF **1**