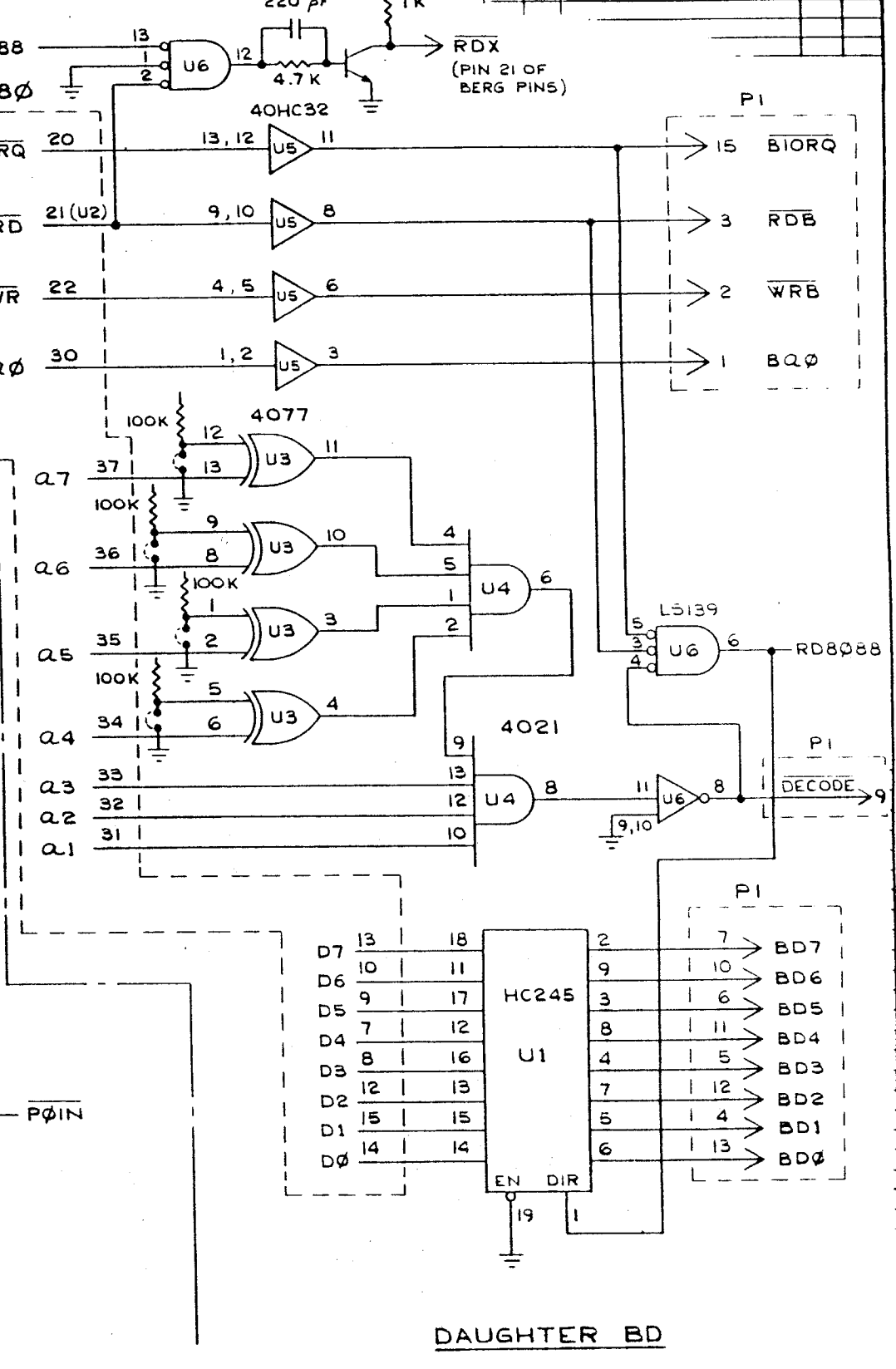
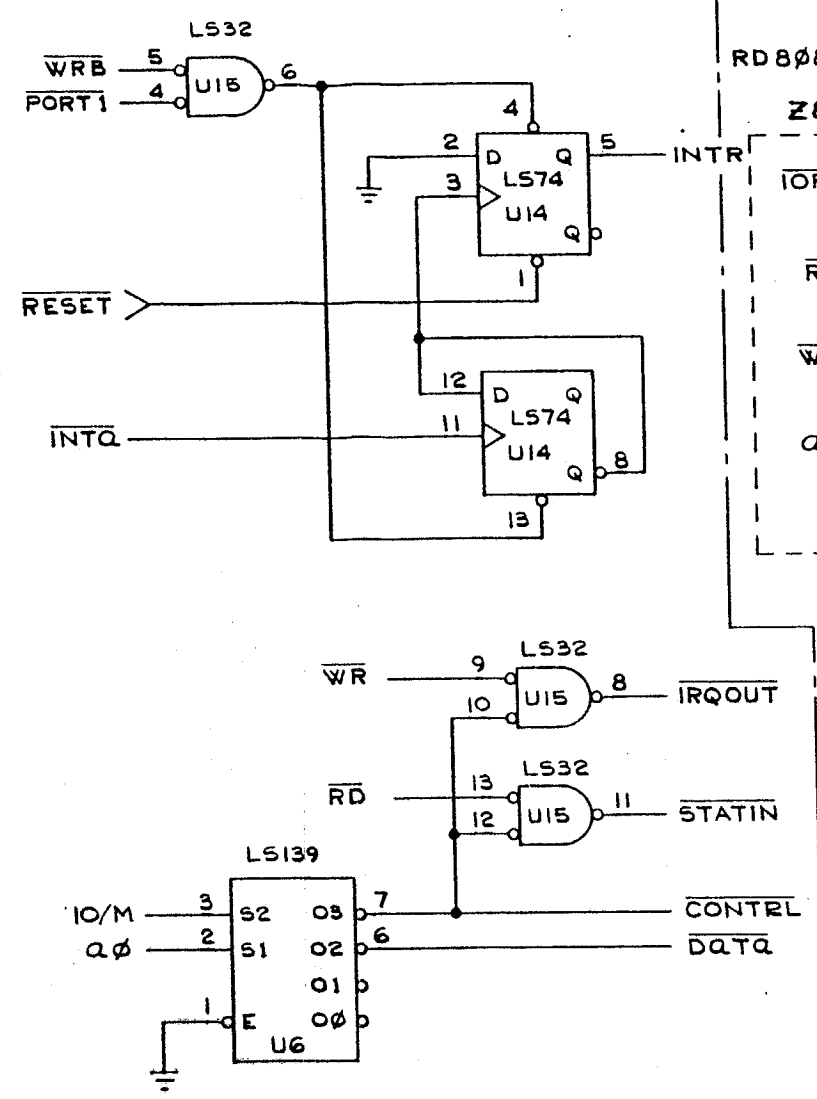
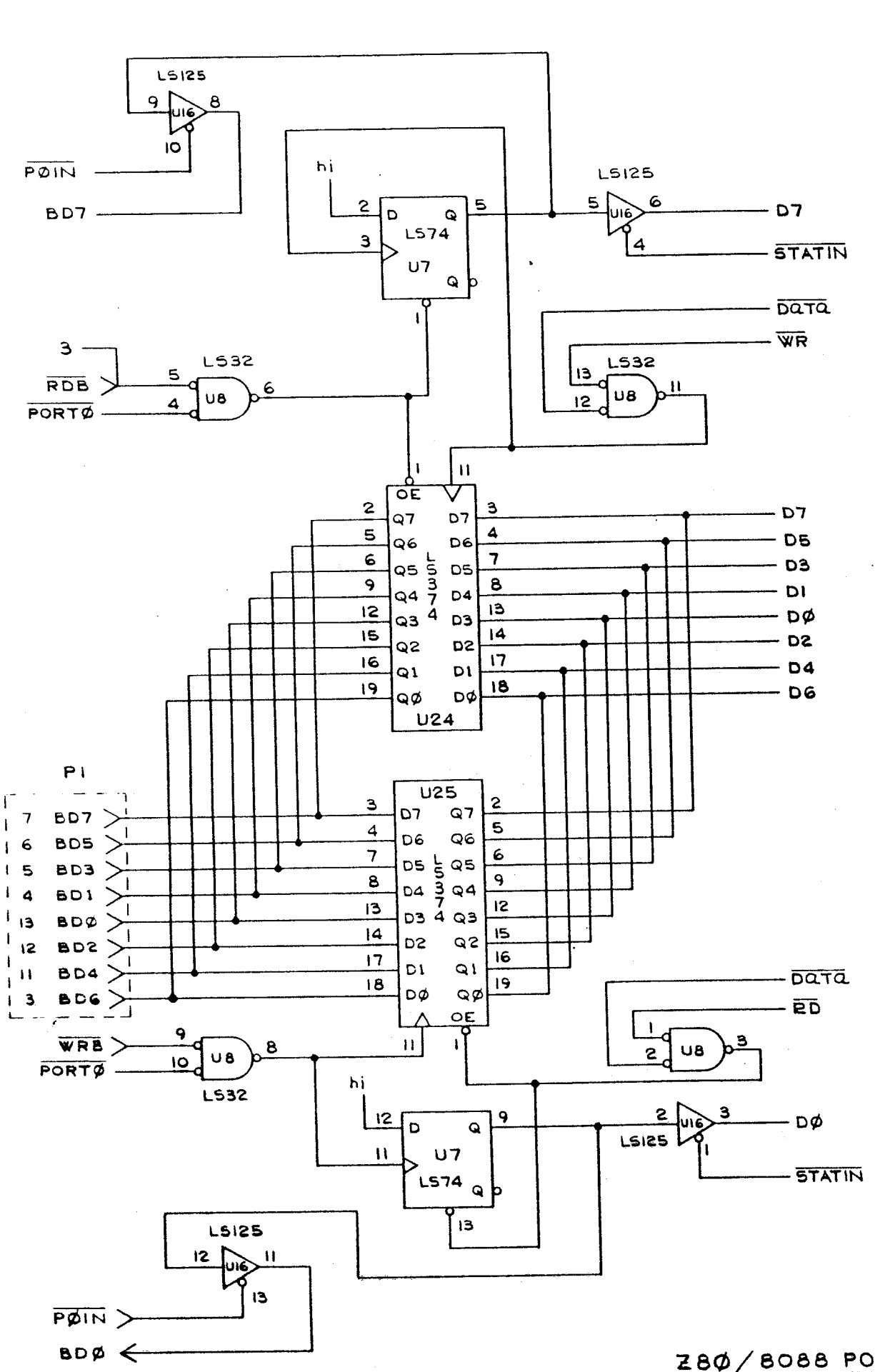


DATE	SYM	REVISION	RECORD	DR	APP



Z80/8088 PORTS

DAUGHTER BD

ITEM		PART NO.		DESCRIPTION		REF DES
QTY	QTY	QTY	QTY	DATE	DATE	
				4-5-83		
DRAWN C CALVO				CHECKED		
MATERIAL				APPROVED		
UNLESS OTHERWISE SPECIFIED						
TOLERANCES						
DECIMAL 2X & 0.1						
FRACTIONAL 3/32						
ANGULAR ± 1°						
SURFACE ROUGHNESS IN RMS						
MICROINCHES						
ALL DIMENSIONS IN INCHES						
REMOVE BURRS AND SHARP EDGES						
DO NOT SCALE THIS DRAWING						
610-0003		NEXT ASSY		USED ON		
Software Publishers, Inc.				Arlington, Texas		
SCHEMATIC				8088 BOARD		
DRAWING NO				611-0003		